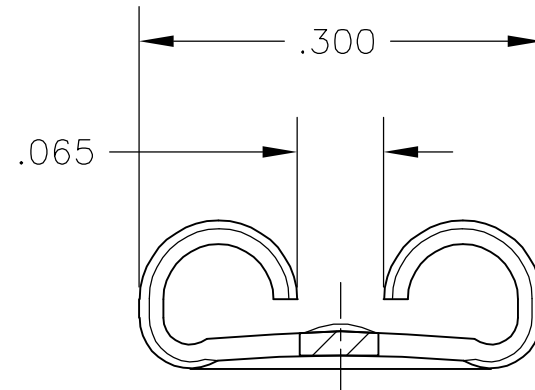
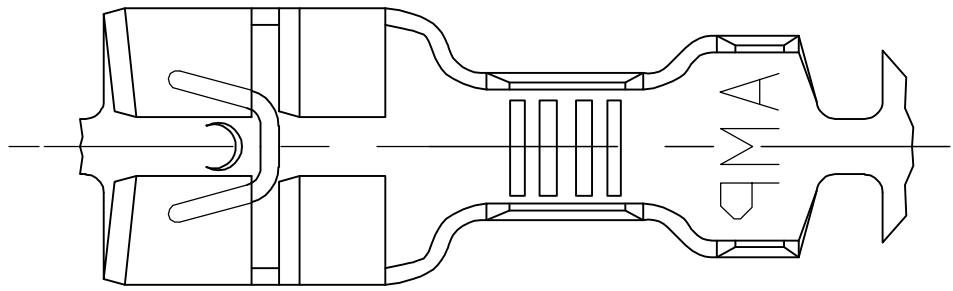


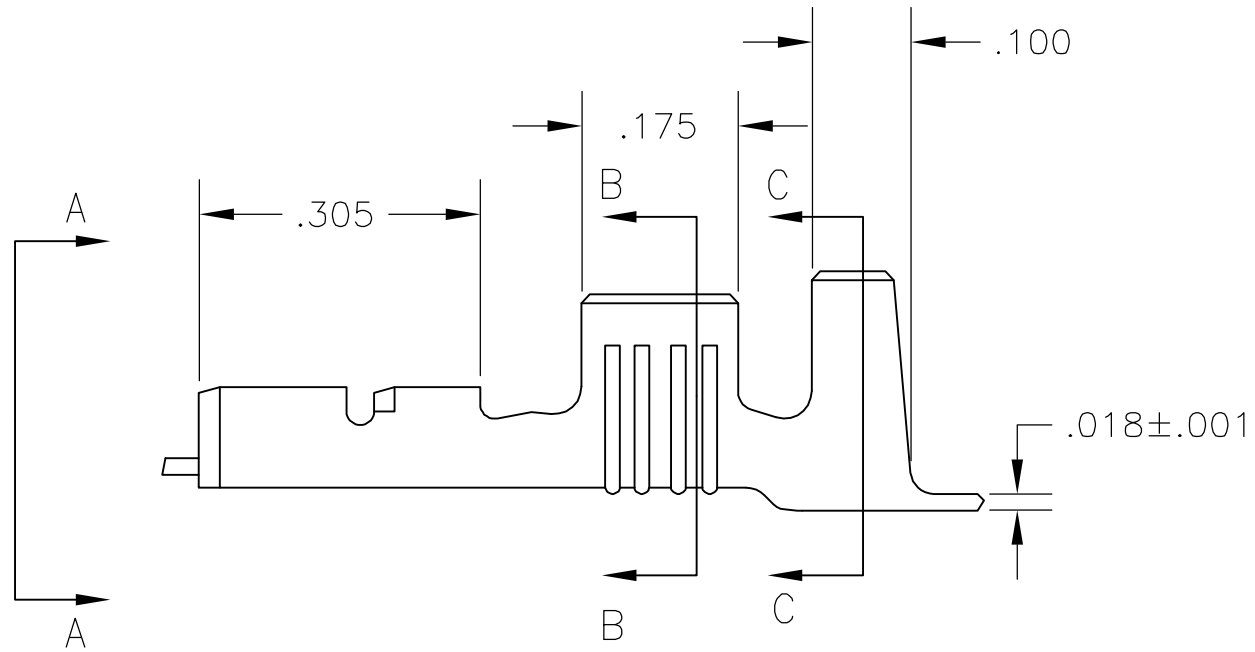
THIS DRAWING IS UNPUBLISHED. RELEASED FOR PUBLICATION
 © COPYRIGHT - BY TYCO ELECTRONICS CORPORATION. ALL RIGHTS RESERVED.

LOC	DIST	REVISIONS					
AF	50	P	LTR	DESCRIPTION	DATE	DWN	APVD
		D1		REV PER ECR 06-026826	14NOV06	JR	PD

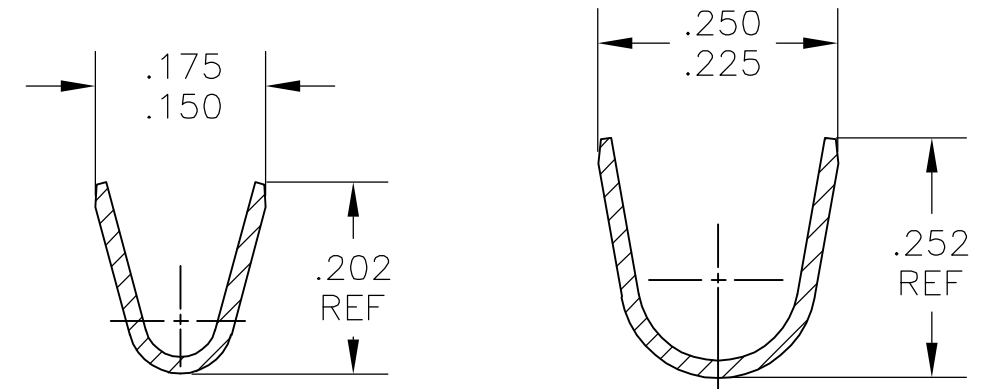
1 CONTINUOUS STRIP ON REELS.



VIEW A-A



SECTION B-B



SECTION C-C

.150-.200 DIA	#14-#10 AWG	.032±.001	63435-1
INSULATION RANGE	WIRE SIZE	MATING TAB THICKNESS	PART NO.

THIS DRAWING IS A CONTROLLED DOCUMENT.		DWN JR RUTH 10/10/86	Tyco Electronics Corporation Harrisburg, PA 17105-3608	
DIMENSIONS: INCHES		CHK G YETTER 10/12/86		
TOLERANCES UNLESS OTHERWISE SPECIFIED:		APVD R KUZO 10/12/86	NAME RECEPTACLE, FASTON, LOW-INSERTION, .250 SERIES	
0 PLC ± - 1 PLC ± - 2 PLC ± .010 3 PLC ± - 4 PLC ± - ANGLES ± -		PRODUCT SPEC -	SIZE A3	
MATERIAL H04 BRASS		FINISH SILVER	CAGE CODE 00779	DRAWING NO C-63435
		WEIGHT -	RESTRICTED TO -	
		CUSTOMER DRAWING		SCALE 5:1
		SHEET 1 OF 1		REV D1